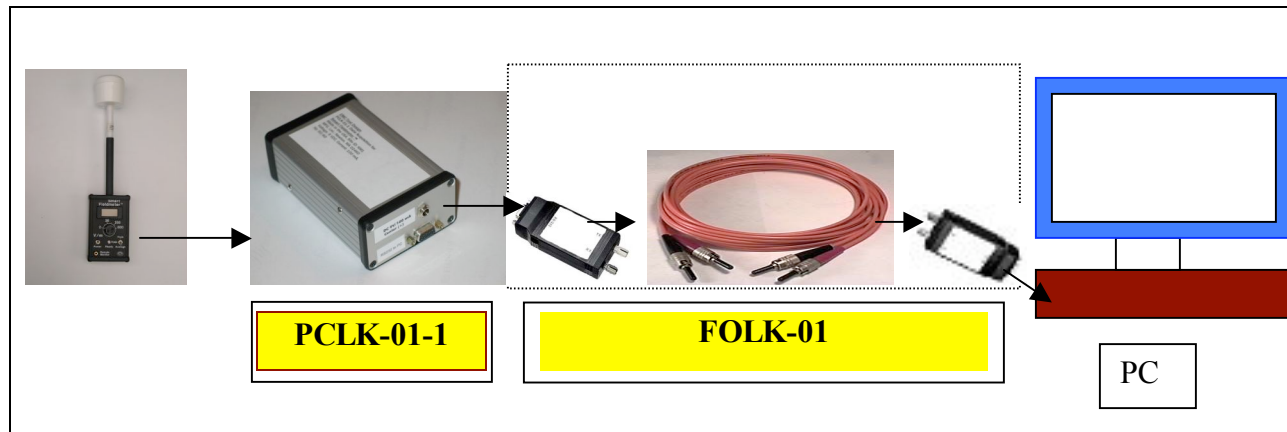


PC Link Kit for Smart Fieldmeter® PCLK-01-1 and FOLK-01

FOLK-01 Addendum



1. The structure of PCLK systems for Smart Fieldmeter®

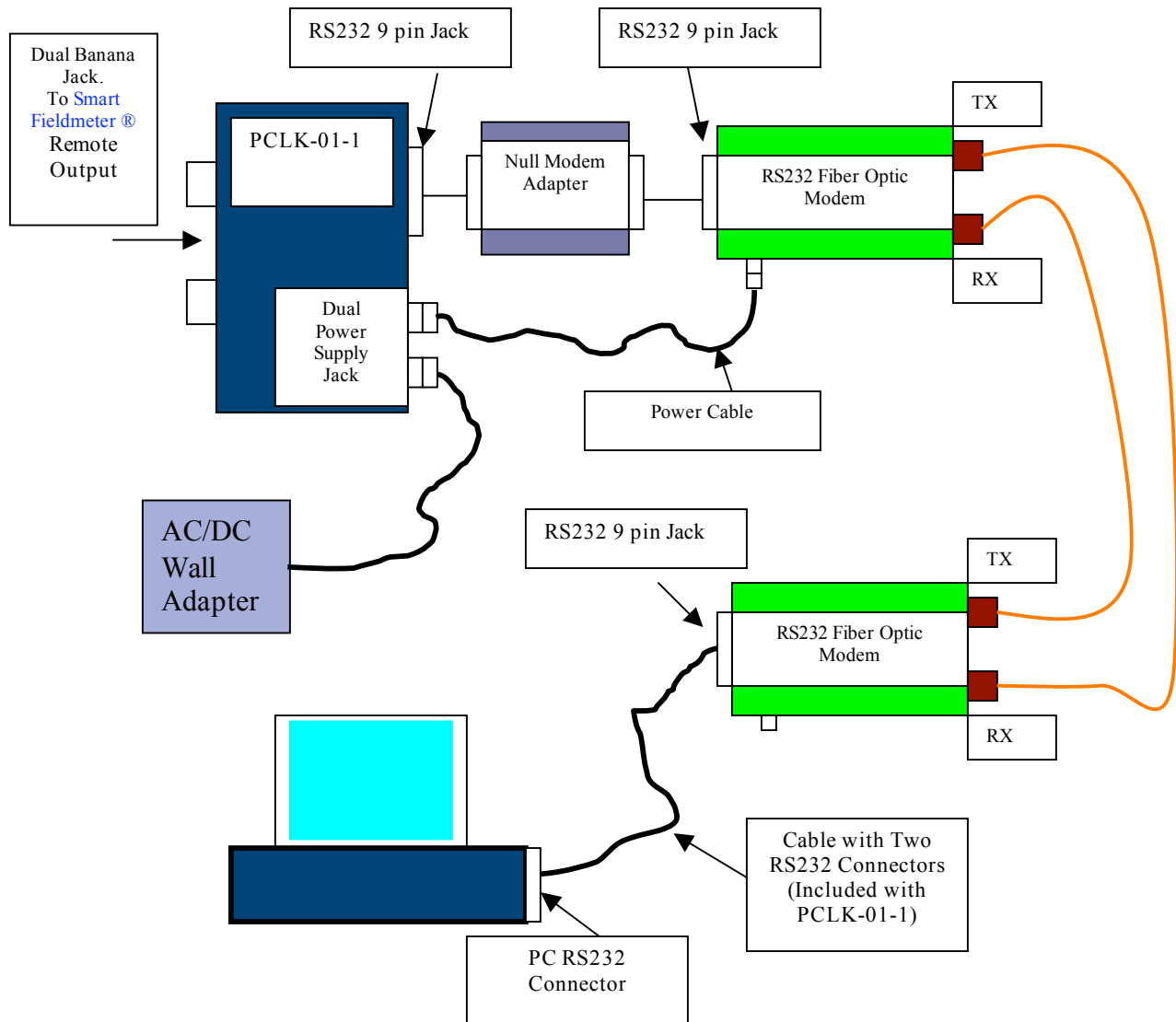
PCLK for Smart Fieldmeter® - PC Link Kit for Smart Fieldmeter® provides the link between Smart Fieldmeter® and your PC. Field strength data can be streamed to PC in a real time and can be viewed, stored, archived and exported with supplied software.

FOLK-01 fiber optic kit allows Smart Fieldmeter ® to be connected to PC through non-metal fiber optic cable, thus eliminating stray AC and RF currents affecting the probe readings.

FOLK-01 kit consists of the following components
(PCLK-01-1 unit is required):

1. Fiber optic cable (dual) with ST connectors (length is either 10 m or custom per user requirements).
2. RS232 fiber optic modem (2 units).
3. Null modem adapter for connecting the output of the PCLK-01 to the first RS232 to fiber adapter.
4. DC power cable with two connectors.

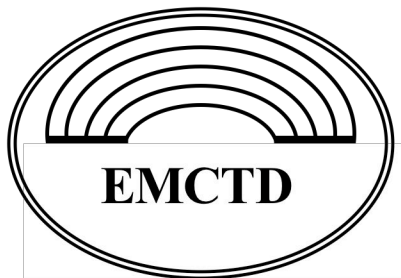
2. The connection diagram of the PCLK-01 with FOLK-01 system:



Notes:

1. Each fiber optic cable is connected to TX (transmitter) on one end and to RX (receiver) on another end.
2. The second RS232 Fiber Optic Modem has no external power supply; it is powered from PC RS232 port.
3. Null Modem Adapter is required for proper components communication.

TM



EMC Test Design, LLC
PO Box 600532, Newton, MA 02460
e-mail: exid@emctd.com
web: www.emctd.com
Ph.: 508-292-1833